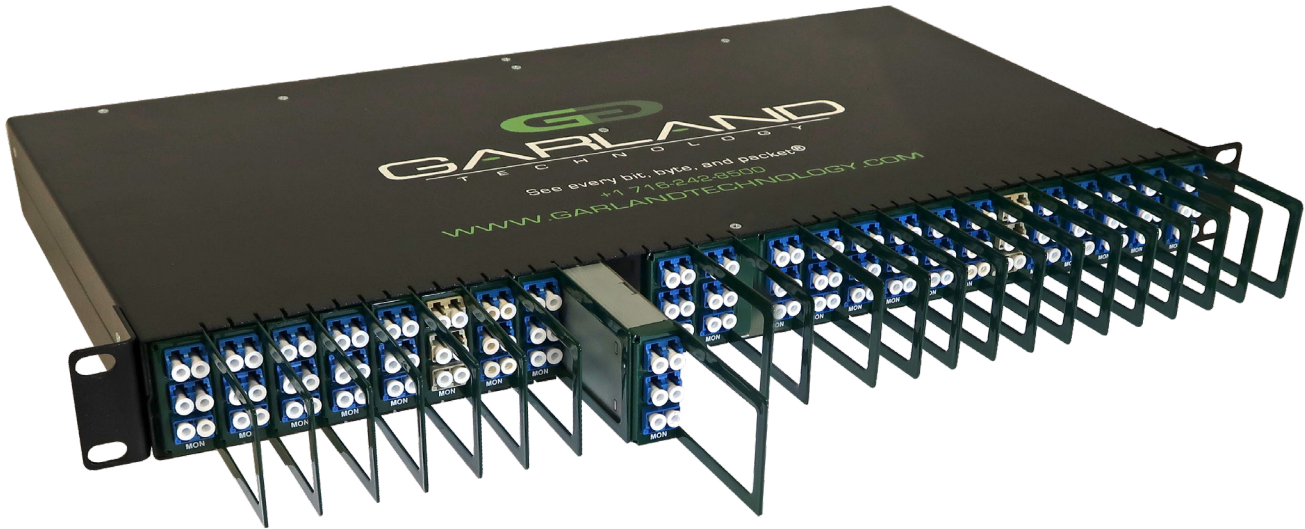


SelectTAP™ Fiber Modular Chassis

Network TAPs for 1G/10G/25G/40G/100/400/800G networks.



Network test access points (TAPs) are hardware tools that allow you to access and monitor your network. The passive fiber modular chassis system supports 1Gbps, 10Gbps, 40Gbps, 100Gbps, 400Gbps, and 800Gbps network speeds.

This high density and high performance monitoring solution accommodates growing data center and enterprise needs for 100G Ethernet networks. The passive fiber modular chassis system features a scalable design allowing you to meet the demands of the network today and tomorrow, while supporting the investment in existing monitoring tools.

FLEXIBLE

- Mix & Match TAP modules
- Supports single-mode and multi-mode

SCALABLE

- Add and TAP modules as needed
- Adjust TAP modes as needed

ROBUST

- Durable steel chassis
- Chassis accommodates 16 to 24 network TAP

SECURE

- No power, no heat, no IP address, no MAC address - 100% passive
- Supports Passive Replication
- TAA compliant
- Country of Origin: USA

Design a TAP solution by choosing the right TAP module

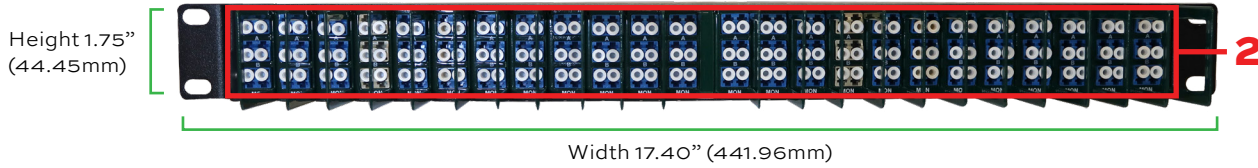


Have Questions?

sales@garlandtechnology.com | +1 716.242.8500 | GarlandTechnology.com

HARDWARE KEY

1. Durable, metal chassis. **2.** Slots for TAP modules. Chassis accommodates 16 to 24 network TAP modules, based on configuration. (24 LC TAP Modules, 16 MPO/MTP® TAP Modules, 16 BiDi LC TAP Modules)



DIMENSIONS (WxHxD)

17.40" x 1.75" x 13.45"

441.96mm x 44.45mm x 341.63mm



Choose the TAP modules.

Multiple modules are offered in the Platform. Modules are organized by Network Speed, Media Type, and TAP Mode. All modules fit inside the 1U in any combination. Simply slide the module into an open slot until a click is heard.



Part #s for TAP modules

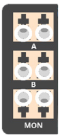
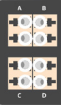
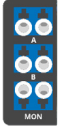

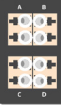

Part #	Network Speed	Ports	# of TAPs	Split Ratio*	Wavelengths	Media	Connector/Mode
FMC-1U	Fiber Modular Chassis						
OS2501M	1/10/25/40/100G		1	50/50	1290-1330nm 1530-1570nm	Fiber-OS1/OS2	LC Single-Mode Fiber
OS2701M	1/10/25/40/100G		1	70/30	1290-1330nm 1530-1570nm	Fiber-OS1/OS2	LC Single-Mode Fiber
OS2501WM	1/10/25/40/100/400G		1	50/50	1270-1350nm 1510-1590nm	Fiber-OS1/OS2	LC Single Mode Fiber
OS2601WM	1/10/25/40/100/400G		1	60/40	1270-1350nm 1510-1590nm	Fiber-OS1/OS2	LC Single Mode Fiber
OS2701WM	1/10/25/40/100/400G		1	70/30	1270-1350nm 1510-1590nm	Fiber-OS1/OS2	LC Single Mode Fiber
OS2501-PSM4BM	40/100/400/800G		1	50/50	1310nm	Fiber-OS1/OS2	MTP12 B Style Male Connectors (MPO)
OS2701-PSM4BM	40/100/400/800G		1	70/30	1310nm	Fiber-OS1/OS2	MTP12 B Style Male Connectors (MPO)
OM1501M	1/10G		1	50/50	850-1300nm	Fiber-OS1/OS2	LC Multi-Mode Fiber
OM1701M	1/10G		1	70/30	850-1300nm	Fiber-OM1/OM2	LC Multi-Mode Fiber
OM4501M	1/10/25G		1	50/50	850nm	Fiber-OM3/OM4	LC Multi-Mode Fiber
OM4601M	1/10/25G		1	60/40	850nm	Fiber-OM3/OM4	LC Multi-Mode Fiber



Have Questions?

sales@garlandtechnology.com | +1 716.242.8500 | GarlandTechnology.com

Part #s for TAP modules

Part #	Network Speed	Ports	# of TAPs	Split Ratio*	Wavelengths	Media	Connector/Mode
FMC-1U	Fiber Modular Chassis						
OM4701M	1/10/25G		1	70/30	850nm	Fiber-OM3/OM4	LC Multi-Mode Fiber
OM5501M	1/10/25/40/100G*		1	50/50	850-950nm	Fiber OM5	LC-Multi-Mode
OM5601M	1/10/25/40/100G*		1	60/40	850-950nm	Fiber OM5	LC-Multi-Mode
OM5701M	1/10/25/40/100G*		1	70/30	850-950nm	Fiber OM5	LC-Multi-Mode
OM4501-40GSR4BiDiM	40G		1	50/50	800-950nm	Fiber-OM3/OM4	LC Multi-Mode Fiber
OM4701-40GSR4BiDiM	40G		1	70/30	800-950nm	Fiber-OM3/OM4	LC Multi-Mode Fiber
OM5501-SR4BiDiM	40/100G		1	50/50	800-950nm	Fiber OM5	LC Multi-Mode Fiber
OM5701-SR4BiDiM	40/100G		1	70/30	850-950nm	Fiber OM5	LC Multi-Mode Fiber
OS2502-BiDiM	1G/10G		2	50/50	1270-1350nm 1450-1530nm 1510-1590nm	Fiber-OS2	LC Single-Mode
OS2702-BiDiM	1G/10G		2	50/50	1270-1350nm 1450-1530nm 1510-1590nm	Fiber-OS2	LC Single-Mode
OM4501-SR4BM	40/100G		1	50/50	850nm	Fiber-OM3/OM4	MTP-12 Multi-Mode Fiber
OM4701-SR4BM	40/100G		1	70/30	850nm	Fiber-OM3/OM4	MTP-12 Multi-Mode Fiber
OM5501-SR4BM	40/100/400G		1	50/50	850-950nm	Fiber OM5	MTP-12 Multi-Mode Fiber
OM5601-SR4BM	40/100/400G		1	60/40	850-950nm	Fiber OM5	MTP-12 Multi-Mode Fiber
OM5701-SR4BM	40/100/400G		1	70/30	850-950nm	Fiber OM5	MTP-12 Multi-Mode Fiber
OS23321X3M	1G/10G/25G 40G/100G		1	33.3/ 33.3/ 33.3	1310-1550nm	Fiber-OS2	LC Single-Mode Fiber
OM43321X3M	1G/10G		1	33.3/ 33.3/ 33.3	850nm	Fiber-OM3/OM4	LC Multi-Mode Fiber
OM5501-SR8BM	400G		1	50/50	850 nm	Fiber OM5	MPO16 Multi-Mode Fiber
OM5701-SR8BM	400G		1	70/30	850 nm	Fiber OM5	MPO16 Multi-Mode Fiber

OS2 Fiber supports OS1 & OS2; OM1 Fiber supports OM1 & OM2; OM5 Fiber supports OM3 & OM4
 Available split ratios: 90/10, 80/20, 50/50, 70/30, 60/40
 *100G SWDM4

Warranty

Garland Technology’s standard, manufacturer’s warranty covers the first twelve months of product ownership. Extended Return to Factory (RTF) and Premium Technical Support (PTS) warranty plans are available for purchase for supplemental and/or additional coverage options in annual increments.

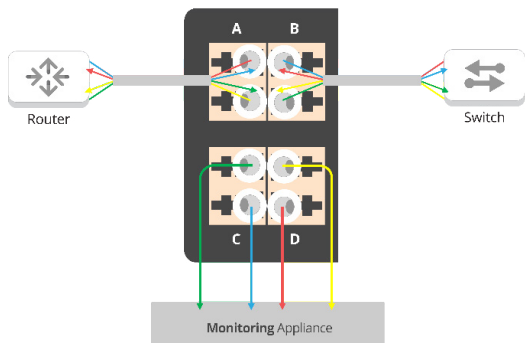
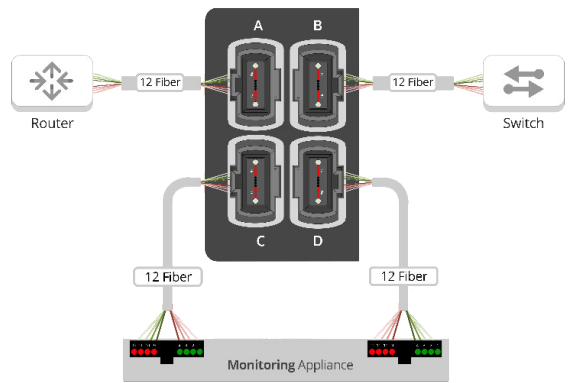
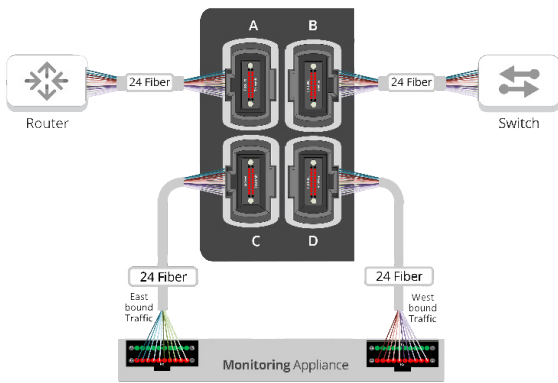
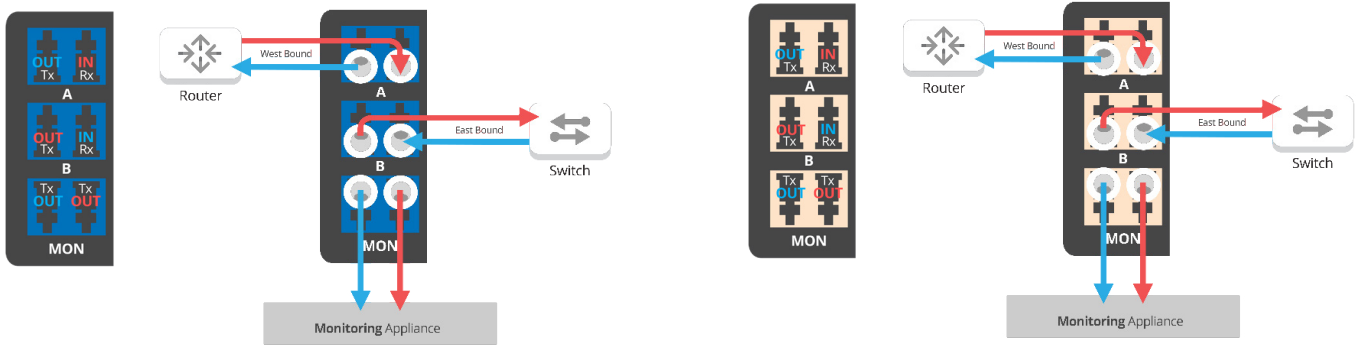
Design-IT Demo

Have a complimentary technical discussion about your network, goals, challenges, and upcoming projects with a Garland Technology Engineer. After the meeting, you will receive a professionally-designed solution diagram you can use to consider options with your colleagues.

Have Questions?

sales@garlandtechnology.com | +1 716.242.8500 | GarlandTechnology.com

Network Flows



Have Questions?

sales@garlandtechnology.com | +1 716.242.8500 | GarlandTechnology.com

